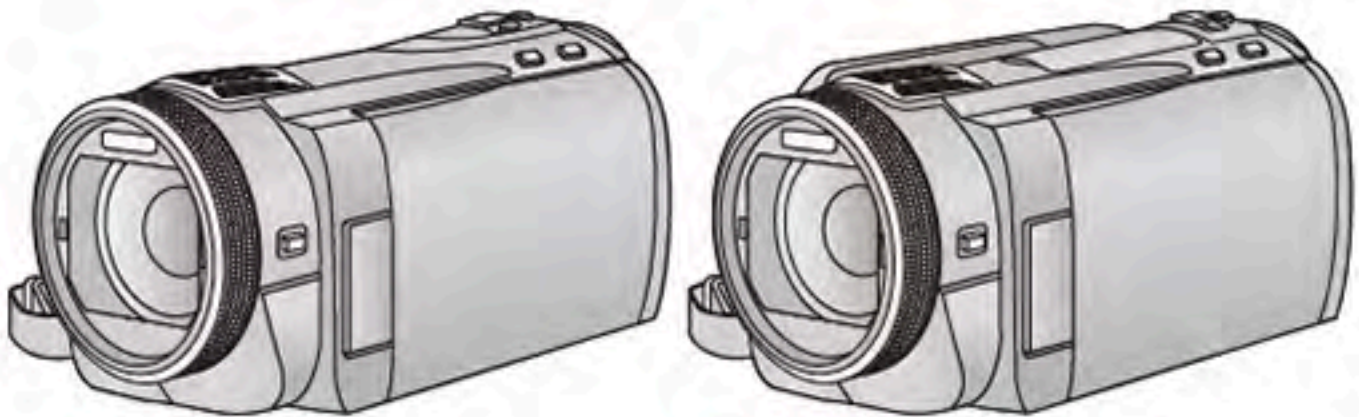


Panasonic®

Owner's Manual High Definition Video Camera

Model No. **HDC-TM900P/PC**
HDC-HS900P/PC



Before connecting, operating or adjusting this product, please read the instructions completely.

AVCHD™

DOLBY
DIGITAL
5.1 CREATOR

LEICA
DICOMAR

SD™
XC

HDMI

VIERA Link™

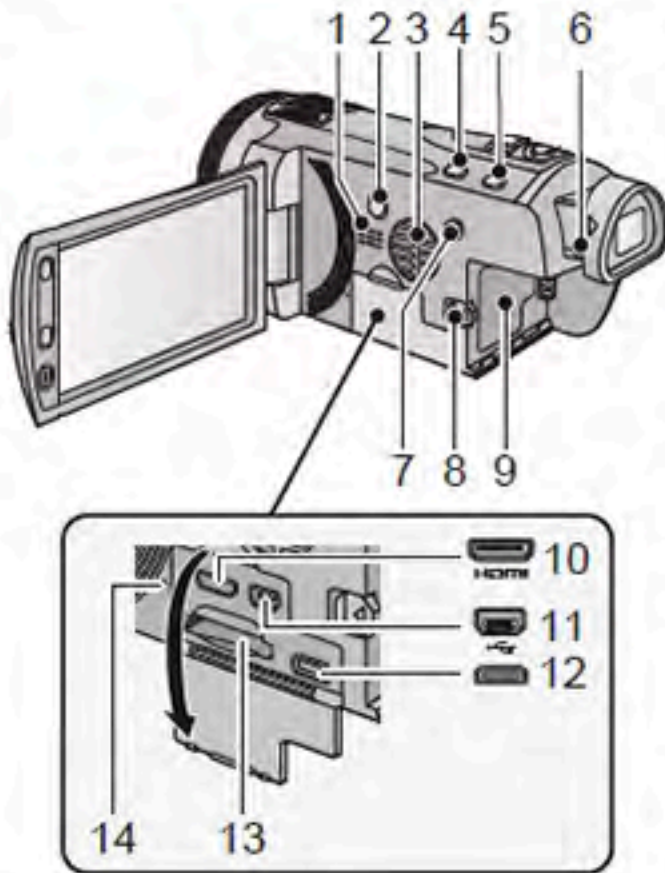
BD

For USA and Puerto Rico assistance, please call: 1-800-211-PANA(7262) or,
contact us via the web at: <http://www.panasonic.com/contactinfo>

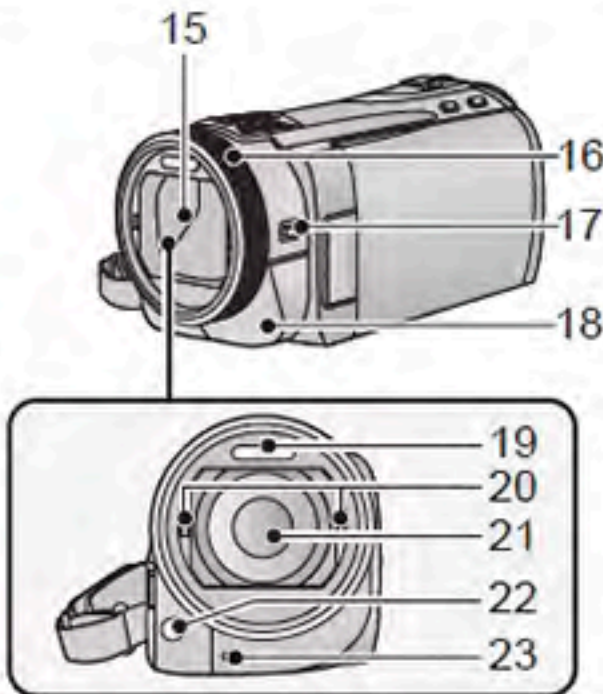
For Canadian assistance, please call: 1-800-561-5505 or visit us at www.panasonic.ca

VOT3K69

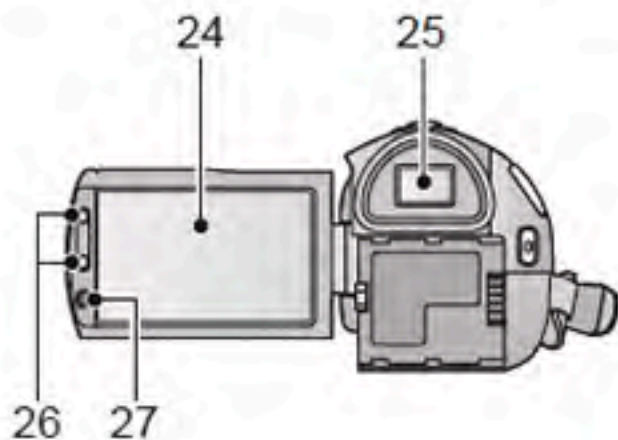
Parts identification and handling



- 1 Speaker
- 2 Power button [⏻/⏺] (→ 28)
- 3 Inlet (cooling fan) (→ 32)
- 4 Intelligent auto/Manual button [iA/MANUAL] (→ 39, 82)
- 5 Optical image stabilizer button [O.I.S.] (→ 56)
- 6 Eyepiece corrector dial (→ 33)
- 7 1080/60p button [1080/60p] (→ 57)
- 8 Battery release lever [BATT] (→ 21)
- 9 Battery holder (→ 21)
- 10 HDMI mini connector [HDMI] (→ 103, 107)
- 11 USB terminal [↔] (→ 114, 119, 133)
- 12 AV multi connector (→ 103, 122)
 - Use the AV multi cable (only the supplied cable).
- 13 Card slot (→ 27)
- 14 Access lamp [ACCESS] (→ 27)



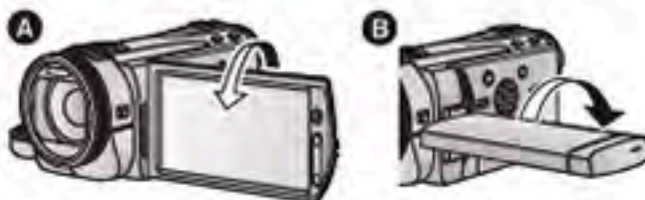
- 15 Lens cover
 - The lens cover opens in Motion Picture Recording Mode or Still Picture Recording Mode. (→ 29)
- 16 Multi manual ring (→ 82, 85)
- 17 Camera function button [CAMERA FUNCTION] (→ 82)
- 18 Remote control sensor (→ 54)
- 19 Built-in flash (→ 63)
- 20 3D Conversion Lens attachment part (concave) (→ 86)
- 21 Lens (LEICA DICOMAR)
 - Please refer to page 33 for details about attaching the lens hood.
- 22 AF assist lamp (→ 81)
- 23 Recording lamp (→ 49)



24 LCD monitor (Touch screen) (→ 29)



- It can open up to 90°.



- It can rotate up to 180° **A** towards the lens or 90° **B** towards the viewfinder.

Due to limitations in LCD production technology, there may be some tiny bright or dark spots on the LCD monitor screen. However, this is not a malfunction and does not affect the recorded picture.

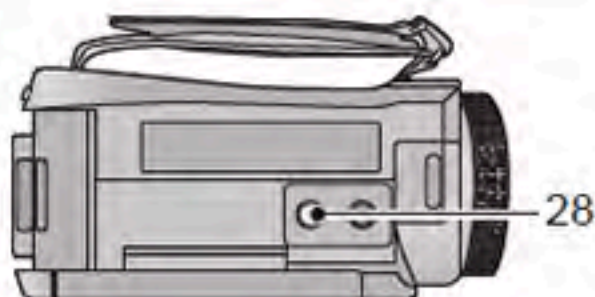
25 Viewfinder (→ 33)

Due to limitations in LCD production technology, there may be some tiny bright or dark spots on the viewfinder screen. However, this is not a malfunction and does not affect the recorded picture.

26 Zoom buttons (→ 55)

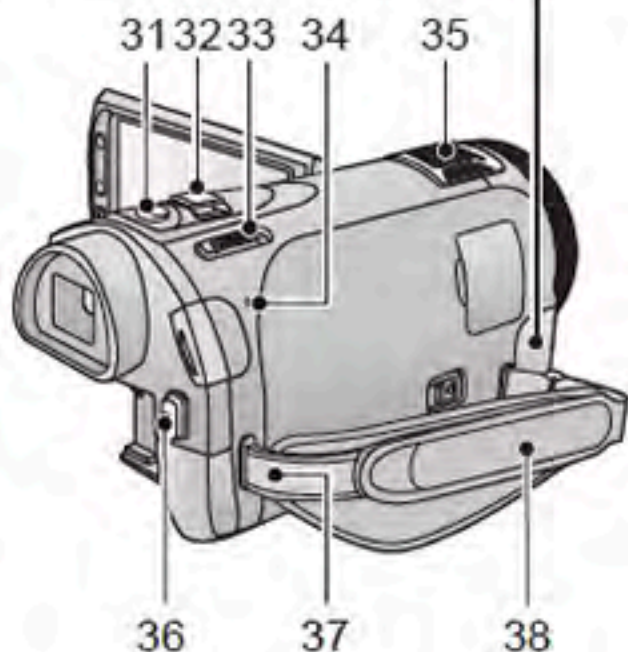
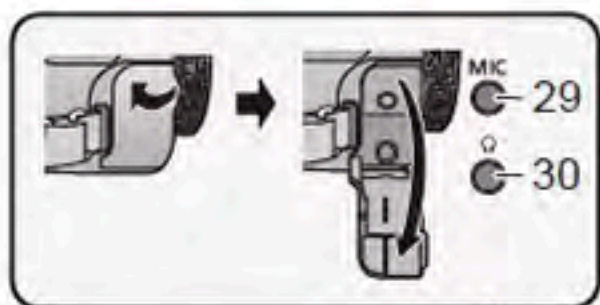
27 Sub recording start/stop button (→ 32)

- This button functions in the same manner as the recording start/stop button.



28 Tripod receptacle

- If you attach a tripod which has 5.5 mm (0.22") screw or larger, it may damage this unit.



29 Microphone terminal [MIC]

- A compatible plug-in powered microphone can be used as an external microphone.
- Audio will be stereo (2 ch) with the external microphone input.
- (Microphone input level meter) is displayed when the external microphone is connected. (→ 75)
- When the unit is connected with the AC adaptor, sometimes noise may be heard depending on the microphone type. In this case, please switch to the battery for the power supply and the noise will stop.

30 Headphone terminal [Ω] (→ 65)

31 Photoshot button [] (→ 37)

32 Zoom lever [W/T] (In Motion Picture Recording Mode or Still Picture Recording Mode) (→ 55)

Thumbnail display switch [/]

Volume lever [-VOL+] (In Playback Mode) (→ 42)

33 Mode switch (→ 29)

34 Status indicator (→ 28)

35 Internal microphones

36 Recording start/stop button (→ 35)

37 Shoulder strap fixture

38 Grip belt

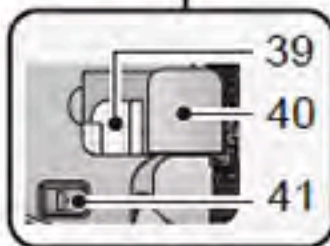
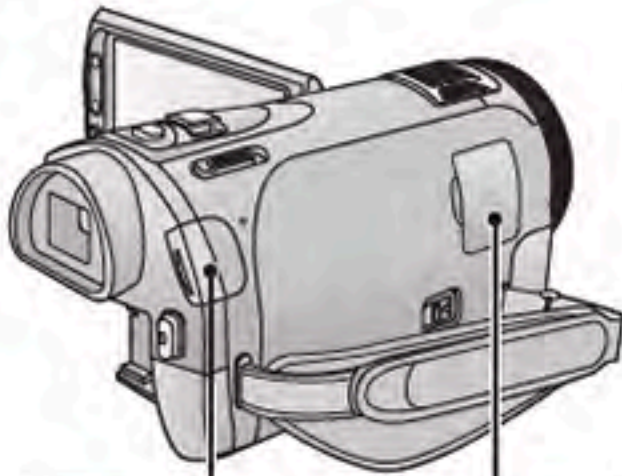
Adjust the length of the grip belt so that it fits your hand.



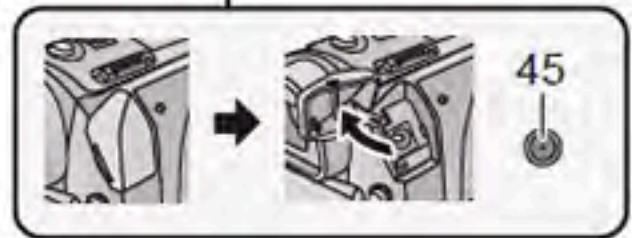
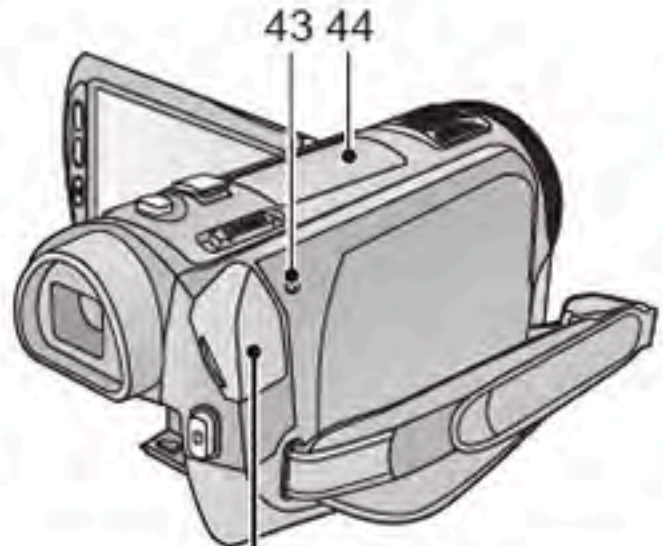
❶ Flip the belt.

❷ Adjust the length.

❸ Replace the belt.

HDC-TM900

- 39 Shoe adaptor mount (→ 165)
- 40 Shoe adaptor cover (→ 165)
- 41 Shoe adaptor release lever
[SHOE ADAPTOR RELEASE] (→ 165)
- 42 DC input terminal [DC IN] (→ 22)
- Do not use any other AC adaptors except
the supplied one.

HDC-HS900

- 43 HDD access lamp [ACCESS HDD]
- 44 Accessory shoe (→ 165)
- 45 DC input terminal [DC IN] (→ 22)
- Do not use any other AC adaptors except
the supplied one.

Power supply

■ About batteries that you can use with this unit

The battery that can be used with this unit is VW-VBN130/VW-VBN260.

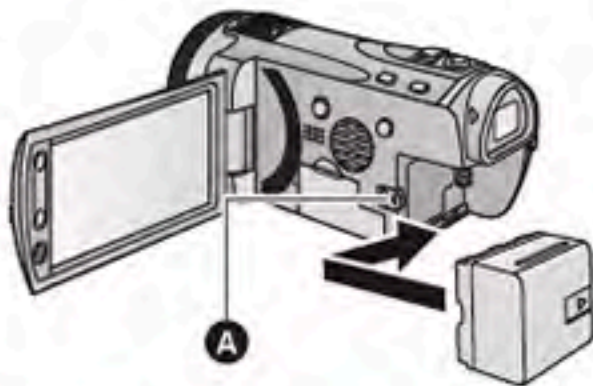
- The unit has a function for distinguishing batteries which can be used safely. The dedicated battery (VW-VBN130/VW-VBN260) supports this function. The only batteries suitable for use with this unit are genuine Panasonic products and batteries manufactured by other companies and certified by Panasonic. (Batteries which do not support this function cannot be used). Panasonic cannot in any way guarantee the quality, performance or safety of batteries which have been manufactured by other companies and are not genuine Panasonic products.

It has been found that counterfeit battery packs which look very similar to the genuine product are made available to purchase in some markets. Some of these battery packs are not adequately protected with internal protection to meet the requirements of appropriate safety standards. There is a possibility that these battery packs may lead to fire or explosion. Please be advised that we are not liable for any accident or failure occurring as a result of use of a counterfeit battery pack. To ensure that safe products are used we would recommend that a genuine Panasonic battery pack is used.

Inserting/removing the battery

- Press the power button to turn off the unit. (→ 28)

Install the battery by inserting it in the direction shown in the figure.

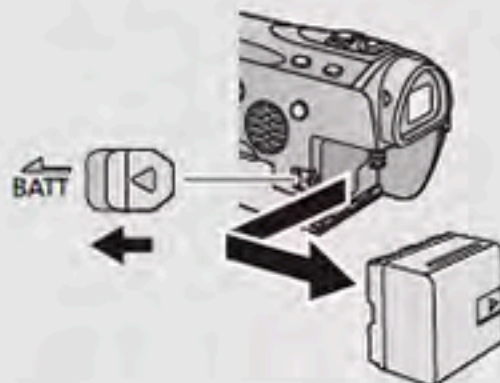


- A** Insert the battery until it clicks and locks.

Removing the battery

Be sure to hold down the power button until the status indicator goes off. Then remove the battery while supporting the unit to prevent it from dropping.

Move the battery release lever in the direction indicated by the arrow and remove the battery when unlocked.

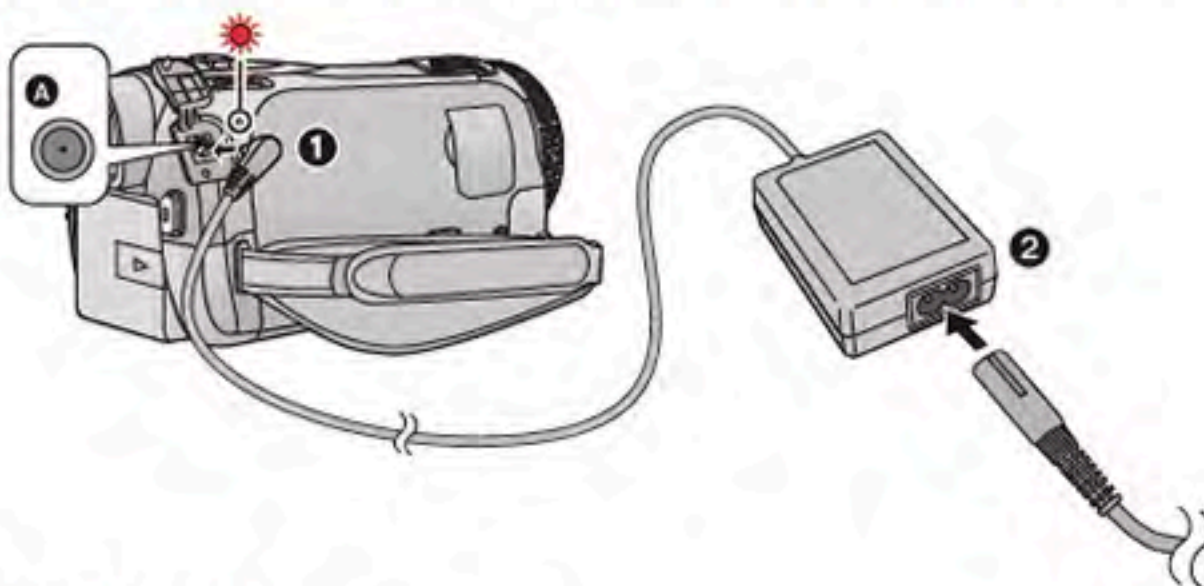


Charging the battery

When this unit is purchased, the battery is not charged. Charge the battery fully before using this unit for the first time.

Important:

- Use the supplied AC adaptor. Do not use the AC adaptor of another device.
- Do not use the AC cable with any other equipment as it is designed only for this unit. Also, do not use the AC cable from other equipment with this unit.
- The battery can also be charged using a battery charger (VW-BC20PP; optional).
- The battery will not be charged if the unit is turned on.
- It is recommended to charge the battery in a temperature between 10 °C to 30 °C (50 °F to 86 °F). (The battery temperature should also be the same.)



A DC input terminal

- Insert the plugs as far as they will go.

1 Connect the AC adaptor to the DC input terminal.

2 Connect the AC cable to the AC adaptor, then the AC outlet.

- The status indicator will flash red at an interval of 2 seconds, indicating that charging has begun.

It will turn off when the charging is completed.

■ Connecting to the AC outlet

If you turn on the unit while connecting the AC adaptor, you can use the unit with power supplied from the outlet.

- If the status indicator flashes at a particularly fast or slow rate, refer to page 151.
- We recommend using Panasonic batteries (→ 12, 23, 24, 163).
- If you use other batteries, we cannot guarantee the quality of this product.
- Do not heat or expose to flame.
- Do not leave the battery(ies) in an automobile exposed to direct sunlight for a long period of time with doors and windows closed.