

Operating Instructions

High Definition Video Camera

Model No.

HC-V770

HC-V770M

HC-V760

4K Video Camera

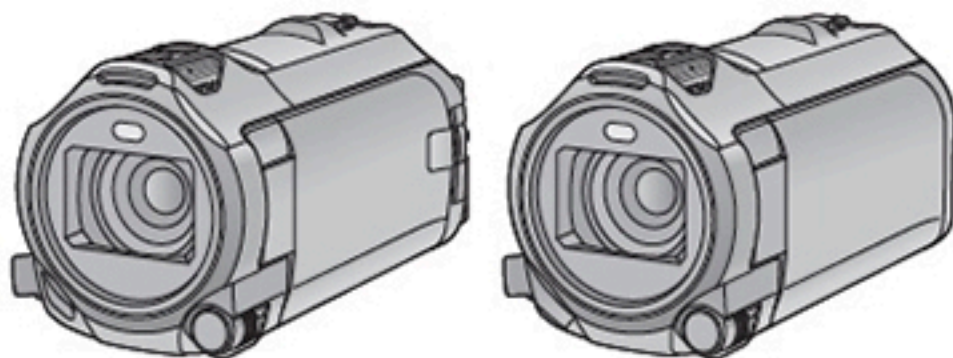
Model No.

HC-WX970

HC-WX970M

HC-VX870

HC-VX870M



Please read these instructions carefully before using this product, and save this manual for future use.

AVCHD™
Progressive

HDMI



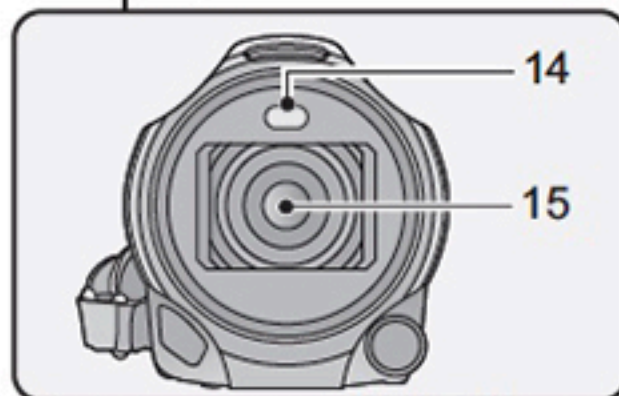
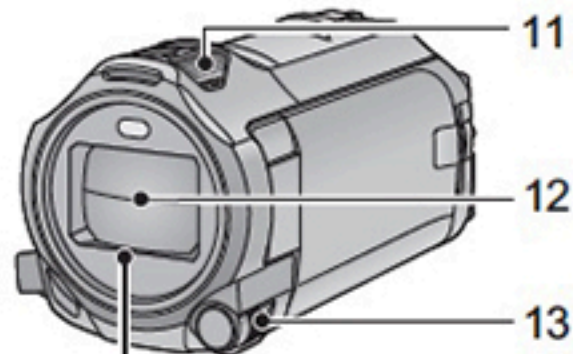
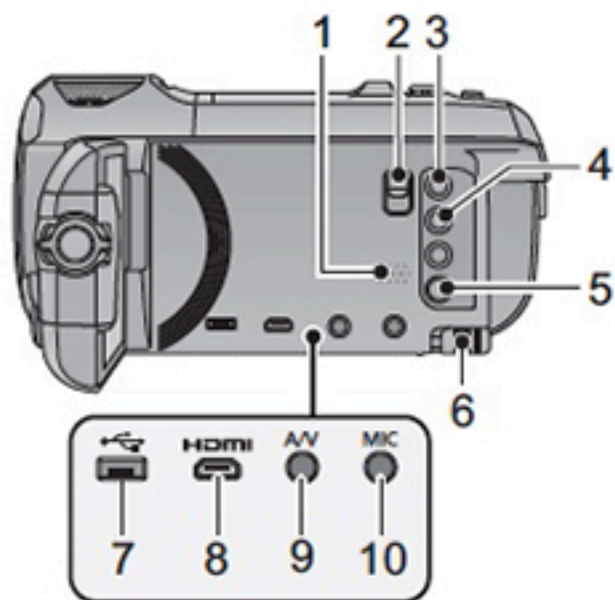
DOLBY
DIGITAL

DLNA
CERTIFIED™

WiFi
CERTIFIED

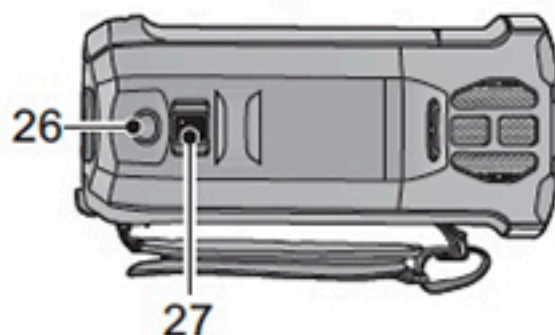
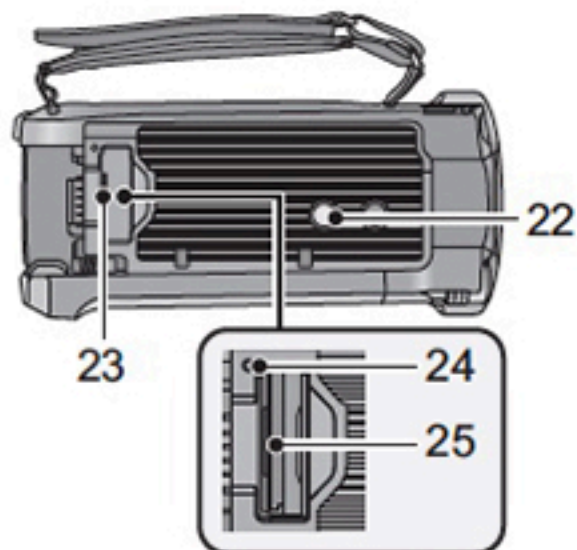
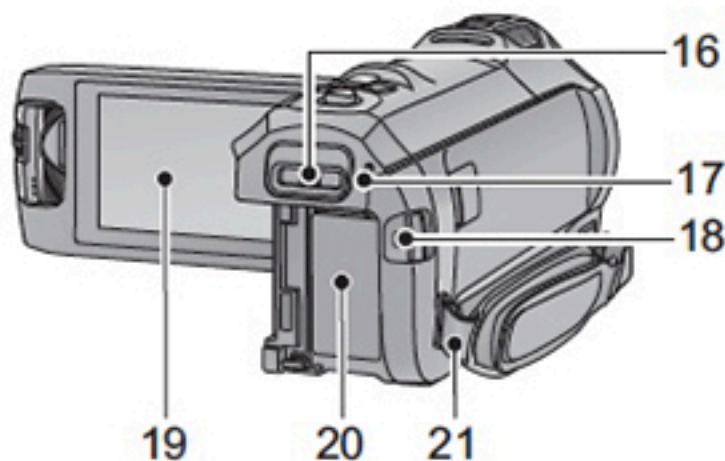


Names and Functions of Main Parts



- 1 **Speaker**
- 2 **Shoe adaptor release lever**
[SHOE ADAPTOR RELEASE] (→ 247)
- 3 **Recording/playback button** [/]
(→ 18)
- 4 **Level Shot Function button** []
(→ 45)
- 5 **Power button** [/] (→ 17)
- 6 **Battery release lever** [BATT] (→ 11)
- 7 **USB terminal** [] (→ 137, 144, 219)
- 8 **Micro HDMI connector** [HDMI]
(→ 129)
- 9 **A/V connector** [A/V] (→ 129, 146)
- 10 **Microphone terminal** [MIC]
 - A compatible plug-in powered microphone can be used as an external microphone.
 - If you connect an external microphone when a setting other than [AUTO] is selected for [MIC LEVEL] (→ 90), (Microphone input level meter) will be displayed.
 - When the unit is connected with the AC adaptor, sometimes noise may be heard depending on the microphone type. In this case, please switch to the battery for the power supply and the noise will stop.
- 11 **Internal microphones**
- 12 **Lens cover**

- The lens cover opens in Motion Picture Recording Mode or Still Picture Recording Mode. (→ 18)
- 13 **Multi Manual Dial** [CAMERA FUNCTION]
(→ 65, 91)
- 14 **Video light** (→ 78, 94)
- 15 **WX970 series/VX870 series Lens (LEICA DICOMAR)**
 - For information on how to attach the supplied lens hood, refer to page 23.
- V770 series/V760 Lens**

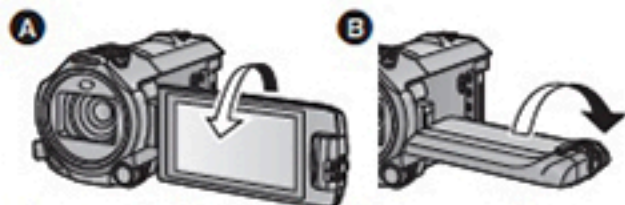


- 16 Shoe adaptor mounting part [SHOE ADAPTOR] (→ 247)
- 17 WX970 series/VX870 series/V770 series
Status indicator (→ 17, 182)
V760
Status indicator (→ 17)
- 18 Recording start/stop button (→ 25)
- 19 LCD monitor (Touch screen) (→ 19)

- 22 Tripod receptacle
 - Attaching a tripod with a screw length of 5.5 mm or more may damage the unit.
- 23 SD card cover (→ 16)
- 24 Access lamp [ACCESS] (→ 16)
- 25 Card slot (→ 16)
- 26 Photoshot button [] (→ 27)
- 27 Zoom lever [W/T] (In Motion Picture Recording Mode or Still Picture Recording Mode) (→ 44)/
Thumbnail display switch [/Q]/
Volume lever [-VOL+] (In Playback Mode) (→ 31)

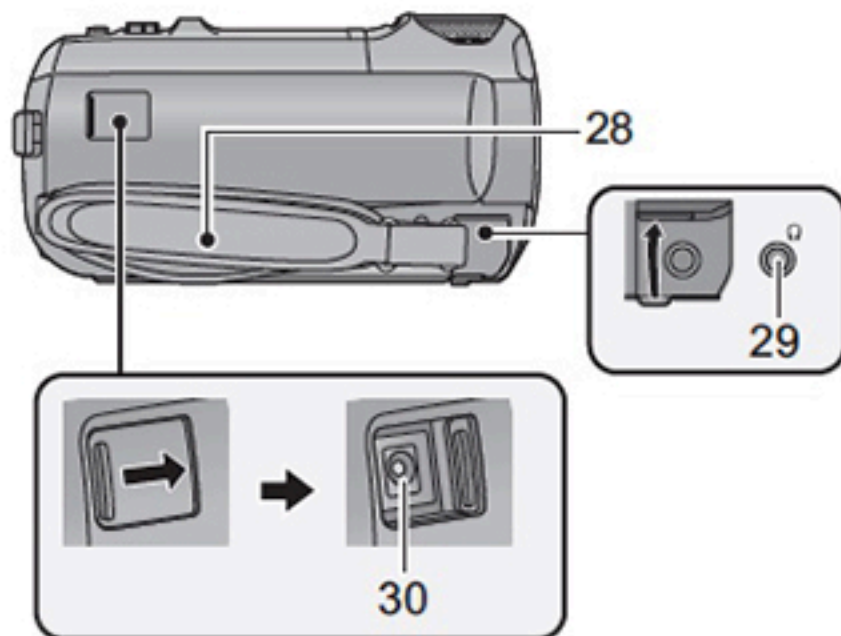


- It can open up to 90°.



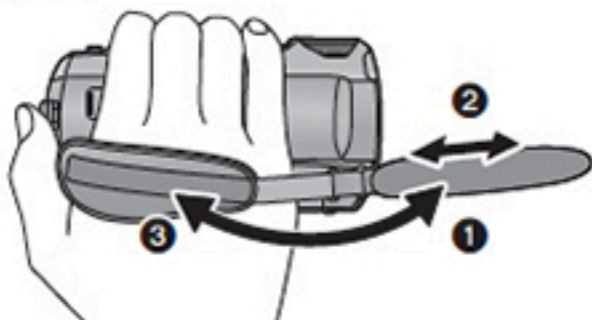
- It can rotate up to 180° **A** towards the lens or 90° **B** towards the opposite direction.

- 20 Battery holder (→ 11)
- 21 Shoulder strap fixture



28 Grip belt

Adjust the length of the grip belt so that it fits your hand.



- ❶ Flip the belt.
- ❷ Adjust the length.
- ❸ Replace the belt.

29 Headphone terminal [Ω] (→ 79)

- Excessive sound pressure from earphones and headphones can cause hearing loss.
- Listening at full volume for long periods may damage the user's ears.

30 DC input terminal [DC IN] (→ 12)

- Do not use any other AC adaptors except the supplied one.